

START HERE!

READ ME FIRST

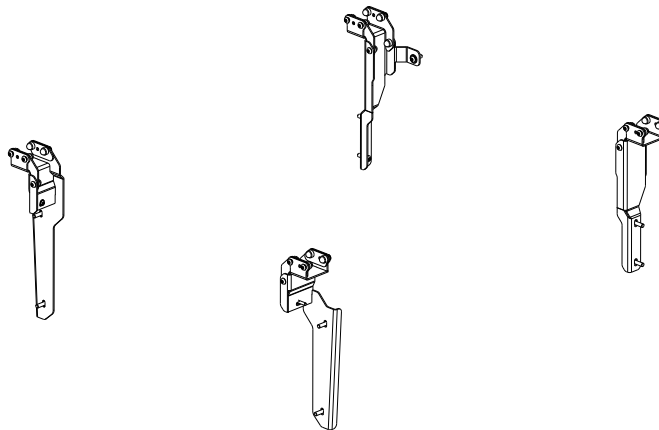
Don't be a hero and muscle through this installation without reading these fitting instructions first! Improper installation of this gear may void certain aspects of your warranty.

Before you begin, take a moment and open all your Front Runner Rack Kit boxes and gather the assembly instructions for the various components.

A complete kit will contain:

1. Front Runner Mounting System specific to your vehicle
2. Front Runner Rack Tray or Load Bar Slats

This document will guide you through the assembly of the Mounting System and assist you in fitting the Rack tray or Load Bars to your specific vehicle. Please refer to the next page for a list of all the components, quantities and tools required.



IMPORTANT WARNING!

IT IS CRITICAL THAT ALL FRONT RUNNER PRODUCTS BE PROPERLY AND SECURELY ASSEMBLED AND ATTACHED TO YOUR VEHICLE. IMPROPER ATTACHMENT COULD RESULT IN AN AUTOMOBILE ACCIDENT, AND COULD CAUSE SERIOUS BODILY INJURY OR DEATH. YOU ARE RESPONSIBLE FOR ASSEMBLING AND SECURING ALL FRONT RUNNER PRODUCTS TO YOUR VEHICLE, CHECKING THE ATTACHMENTS PRIOR TO USE, AND PERIODICALLY INSPECTING THE PRODUCTS FOR ADJUSTMENT, WEAR AND DAMAGE. THEREFORE, YOU MUST READ AND UNDERSTAND ALL OF THE INSTRUCTIONS AND PRECAUTIONS SUPPLIED WITH YOUR FRONT RUNNER PRODUCT PRIOR TO INSTALLATION OR USE. IF YOU DO NOT UNDERSTAND ALL OF THE INSTRUCTIONS AND CAUTIONS, OR IF YOU HAVE NO MECHANICAL EXPERIENCE AND ARE NOT THOROUGHLY FAMILIAR WITH THE INSTALLATION PROCEDURES, YOU SHOULD HAVE THE PRODUCT INSTALLED BY A PROFESSIONAL INSTALLER OR OTHER QUALIFIED PERSONNEL.

NOTE: Front Runner will not be responsible for any damage caused by the failure to install the product according to these instructions.

Please call us if you have any questions about the installation of this product.



1 GET ORGANIZED

IN THE BOX

PBFR002

- 1 1 X REAR MOUNTING BRACKET LH
- 2 1 X REAR MOUNTING BRACKET RH
- 3 1 X FRONT MOUNTING BRACKET LH
- 4 1 X FRONT MOUNTING BRACKET RH
- 5 6 X STIFENER PLATE
- 6 6 X M8 x 16 BUTTON HEAD SCREW
- 7 16 X M8 x 20 BUTTON HEAD SCREW
- 8 22 X M8 NYLOC NUT
- 9 22 X M8 m8 NUT CAP
- 10 8 X M8 x 30 BUTTON HEAD SCREW
- 11 2 X M8 x 19 x 2 FLAT WASHER
- 12 2 X M8 X 25 BUTTON HEAD SCREW
- 13 2 X WASHER PLATE

IN THE BOX

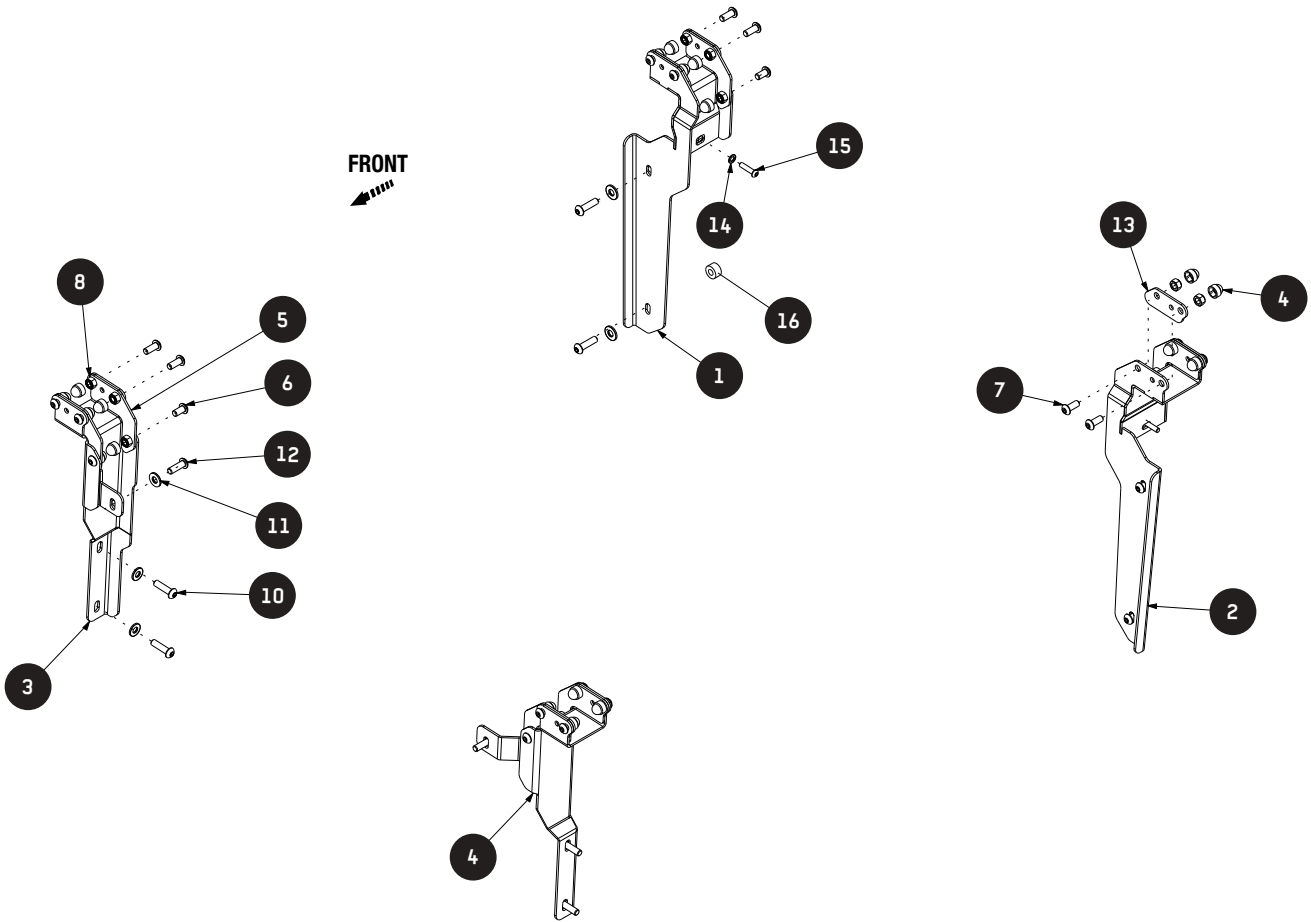
PBFR002

- 14 2 X M6 x 12 x 1 FLAT WASHER
- 15 2 X M6 x 25 BUTTON HEAD SCREW
- 16 4 X 8.2 x 18 x 10 SPACER

TOOLS NEEDED



FRONT
↖



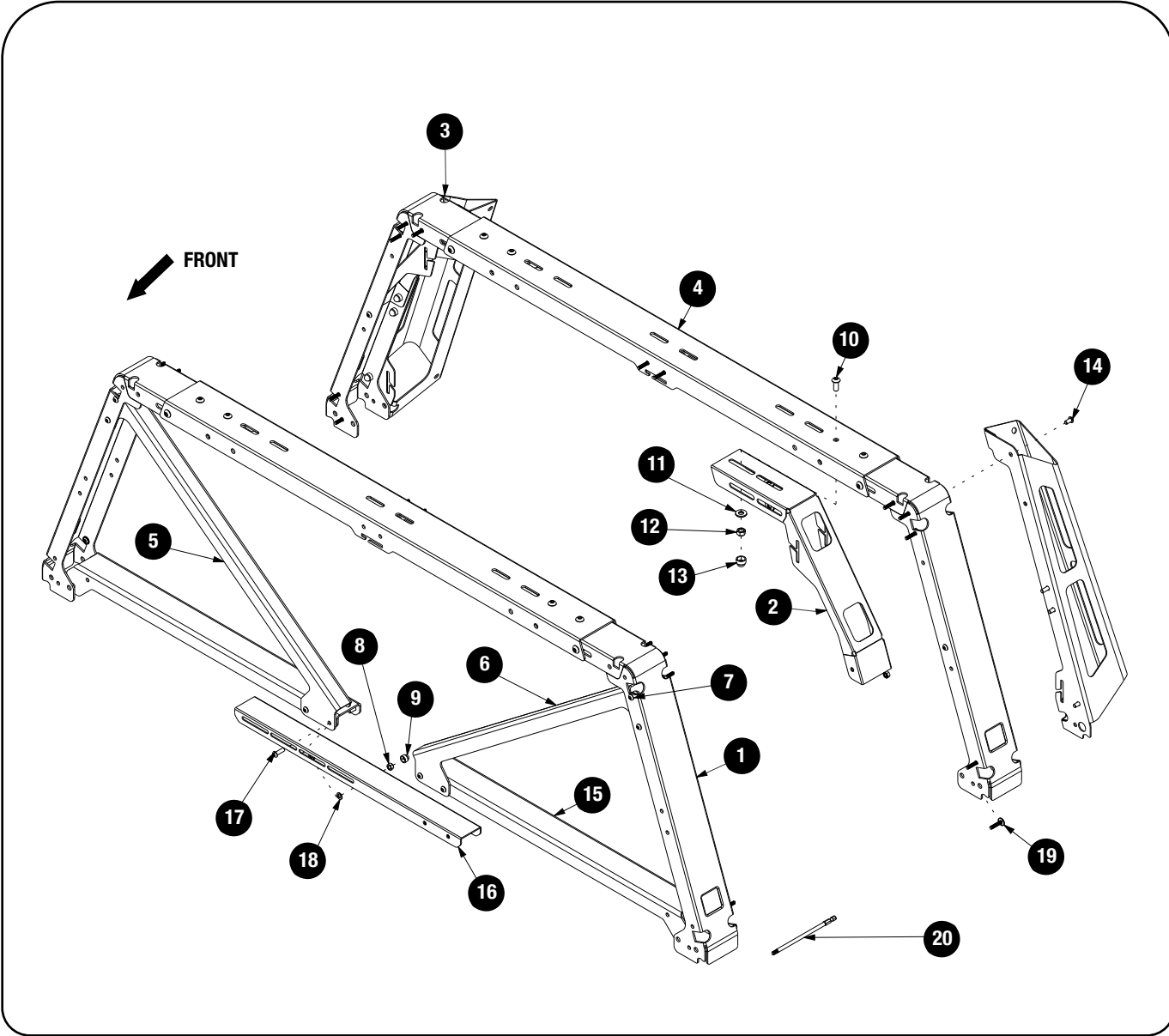


1 GET ORGANIZED

IN THE BOX		PBRA001
1	4 X	PRO BED RACK LEG
2	2 X	PRO BED RACK REAR BRACE
3	2 X	PRO BED RACK RH/LH REAR WING BRACKET
4	2 X	PRO BED RACK TOP TRUSS
5	1 X	PRO BED RACK RH FRONT DIAGONAL BRACE
6	1 X	PRO BED RACK LH FRONT DIAGONAL BRACE
7	12 X	M6 x 16 BUTTON HEAD SCREW
8	24 X	M6 NYLOC NUT
9	22 X	M6 NUT CAP
10	16 X	M8 x 20 BUTTON HEAD SCREW
11	16 X	M8 x 19 x 2 FLAT WASHER
12	16 X	M8 NYLOC NUT
13	16 X	M8 NUT CAP

IN THE BOX		PBRA001
14	6 X	M6 x 12 BUTTON HEAD SCREW
15	2 X	FRONT HORIZONTAL BRACE
16	1 X	FRONT CENTER BRACE
17	4 X	M6 x 20 BUTTON HEAD SCREW
18	9 X	M6 x 12 x 1 FLAT WASHER
19	24 X	M6 x 25 THREAD FORMING SCREW
20	1 X	T30 6" TORX BIT

TOOLS NEEDED





1

GET ORGANIZED

IN THE BOX

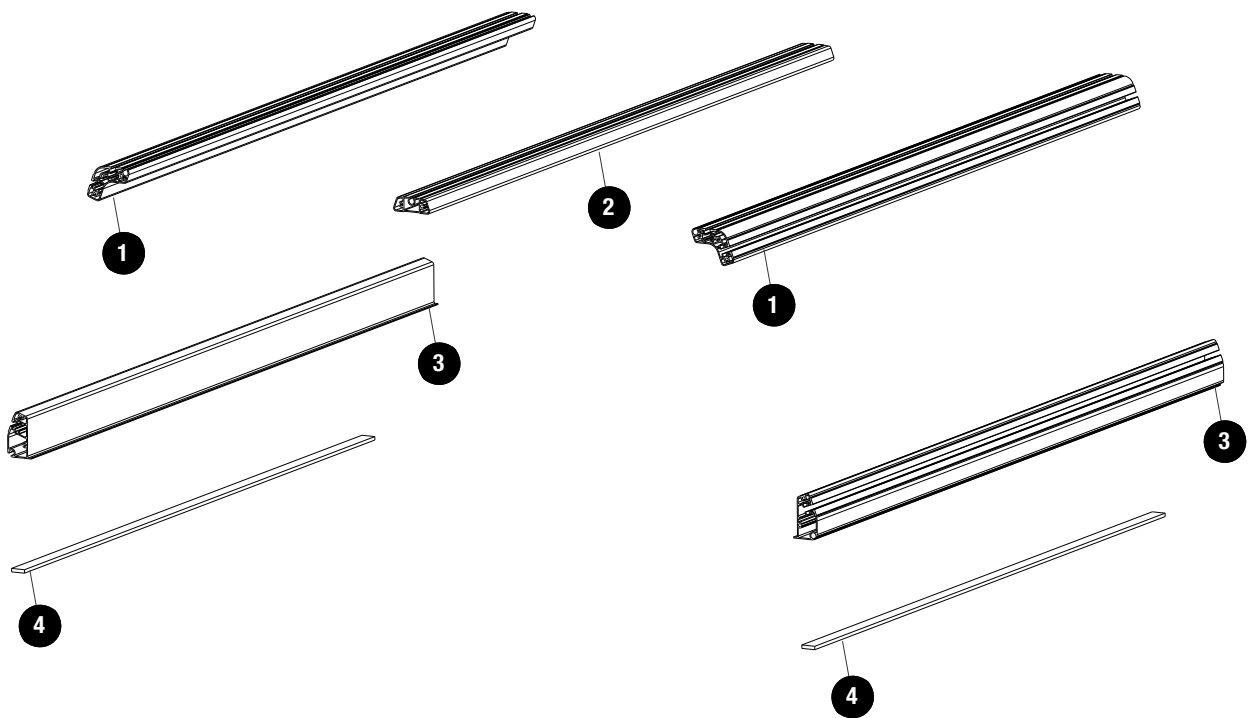
PBAL_1250

1	2 X	TOP EXTRUSION
2	1 X	TOP MIDDLE EXTRUSION
3	2 X	BOTTOM EXTRUSION
4	2 X	1450mm PSA STRIP PE60

TOOLS NEEDED



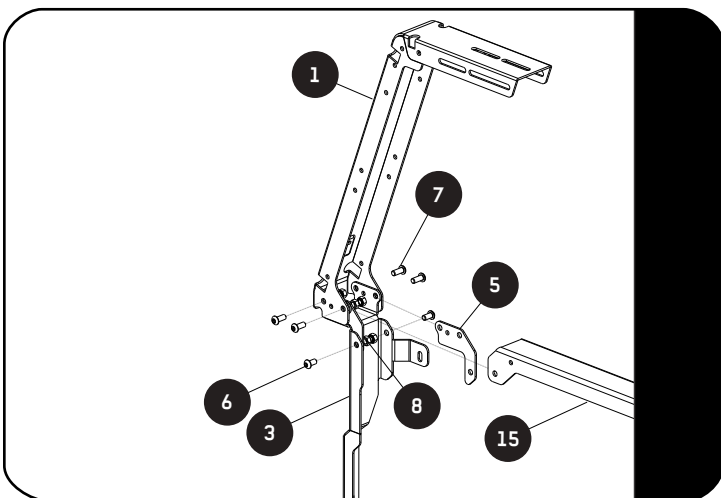
Friend



2

FIT AND SECURE

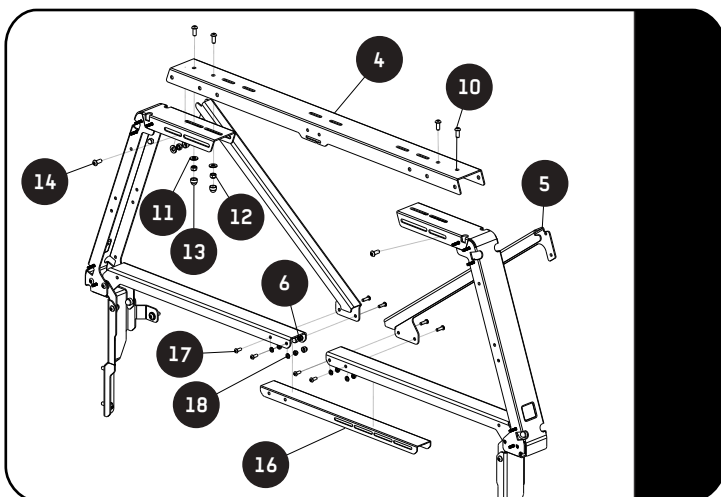
2.1



Assemble the Pro Bed Leg (Item 1) to the Front mounting bracket (Item 3) using 4x M8x20 Button head screw and 4x M8 Nyloc Nut (Item 7 & 8) as shown and 2x M8x16 Button head screw and 2x M8 nyloc Nut (Item 6 & 8).

Do this on both the LH and RH side
DO NOT FULLY TIGHTEN

2.2



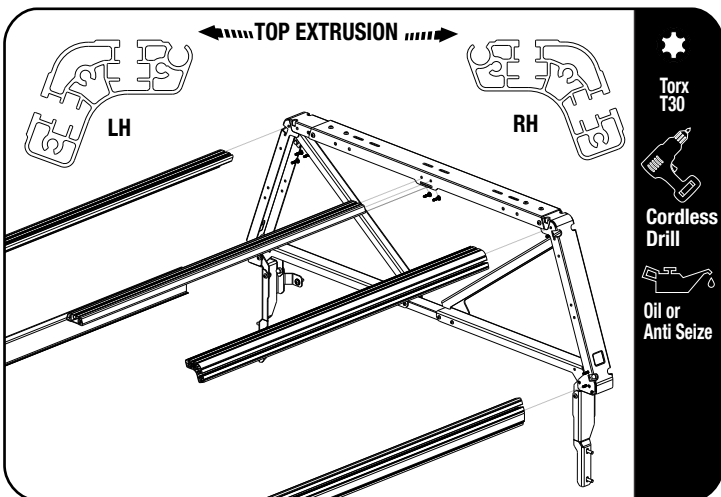
Assemble the Front diagonal and Horizontal Brace parts as shown (Item 4, 5 & 6) to the legs assembled in 2.1 using the 8 x M8 x 20 Button head bolts 8 x M8 x 19 x 2 flat washer and 8 x M8 nyloc nuts (Item 10, 11 & 12).

DO NOT FULLY TIGHTEN.

Use the 12 x M6 x 20 Button Head bolts 12 x M6 x 12 x 1 Flat Washer and 12 x M6 Nyloc Nut (Item 8, 17 & 18) to fit the Front Center Brace to the LH and RH Front Horizontal Braces (Item 16).

DO NOT FULLY TIGHTEN.

2.3



Using the supplied 6" T30 torx bit and a cordless driver assemble the extrusion using the M6x25 thread forming screws (Item 19). Use a slow and constant speed when using the cordless driver.

Take note of extrusion orientation !

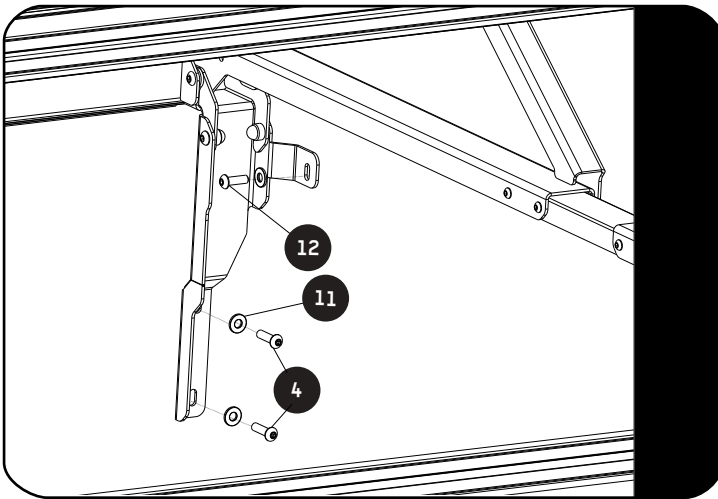
Use a little anti seize or oil on screw threads before inserting. Note these are Thread Forming Screws.

Tightening Torque 6-10Nm / 18.4 ft lbs

2

FIT AND SECURE

2.4



With the help of a Friend lift the Pro Bed Rack onto the Load bin.

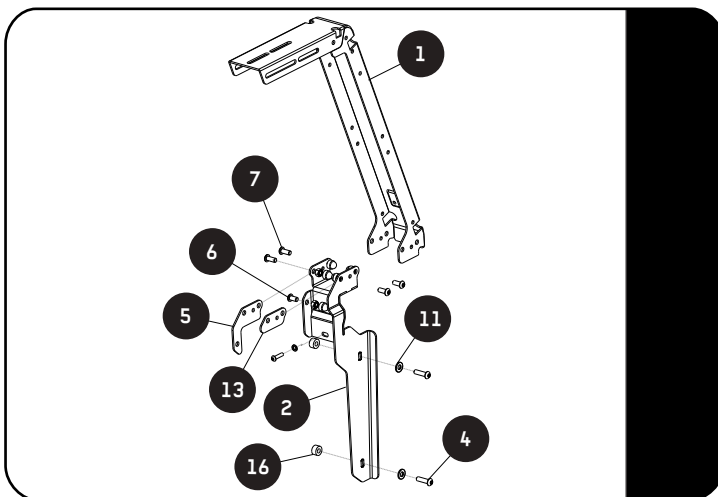
With the Pro Bed rack in Position loosely fit the 2x M8 x 30 Button Head screw and 2x M8 x 19 x 2 Flat washers (Item 4 & 11) to the bottom 2 holes in the bracket.

Loosely fit the 1x M8 x 25 Button Head screw and 1x M8 x 19 x 2 flat washer (Item 11 & 12) to the top mounting Hole.

Do this both LH and RH side.

DO NOT FULLY TIGHTEN.

2.5



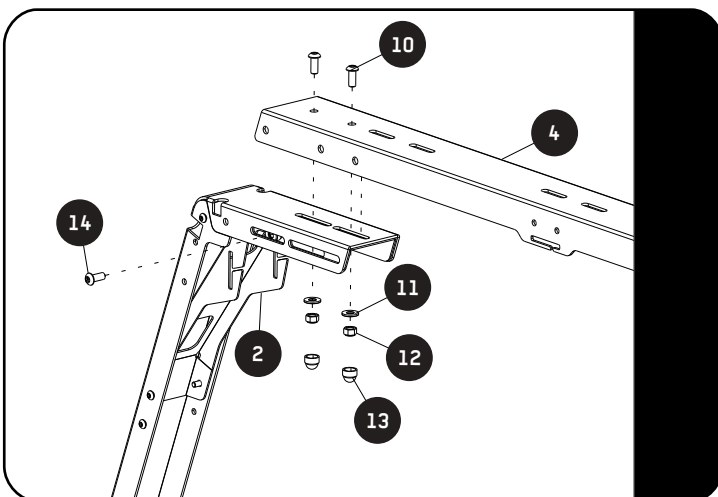
Assemble the Pro Bed Rack Leg (Item 1) to the rear top main bracket (Item 2) using the rear gusset (item 3) and 4 x M8x16 Button head screw and 4 x M8 nyloc Nut as shown.

Assemble the 1x M8x20 Button head screw and 1x M8 Nyloc Nut (Item 7&5) and fully tighten all the bolts.

Do this both LH and RH,

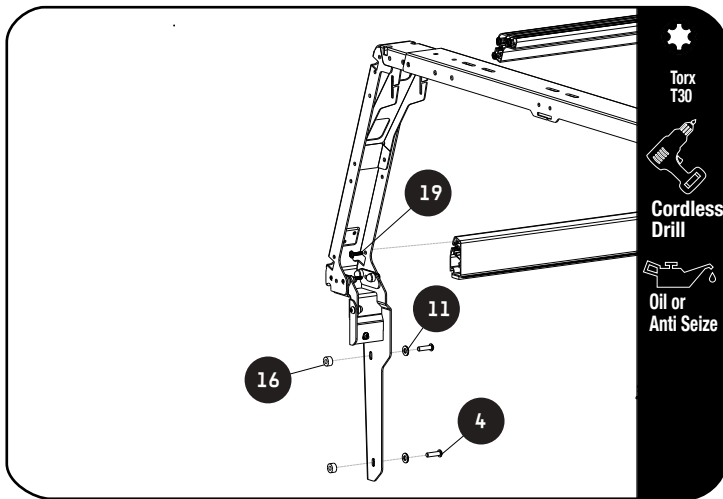
DO NOT FULLY TIGHTEN.

2.6



Loosely assemble the rear top truss using the 3x M8x20 Button head screws, 3x M8x19x2 Flat washer and 3x M8 Nyloc Nuts (Item 10, 11 & 12). Fully tighten the M8 Button Heads and place M8 Nut Caps on the M8 Nyloc Nuts (Item 13).

2.10



Attach the rear leg assembly to the Extrusions using the M6x25 thread forming screws (Item 19) and a cordless driver. The front assembly will be pulled back into its final position while fully tightening these screws.

Loosely fit the 4x M8 x 30 Button Head Screws, 4x M8 x 19 x 2 Flat washer and the 4x 10mm Spacer (Item 4, 11 & 16).

Do this both LH and RH side.

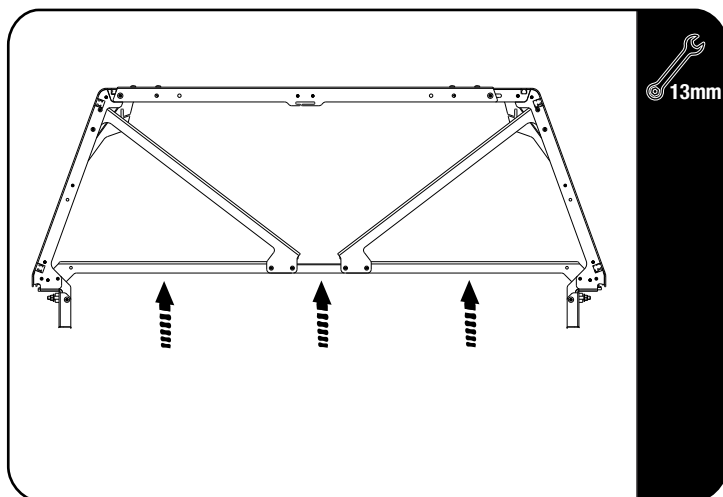


Use a little anti seize or oil on screw threads before inserting. Note these are Thread Forming Screws.



Tightening Torque 6-10Nm / 18.4 ft lbs

2.11



Using clamps and a spirit level clamp the spirit level to the inside of the Front Center Brace and Tighten the M6x20 Button head screws and M6 Nyloc Nuts fitted in 2.3.

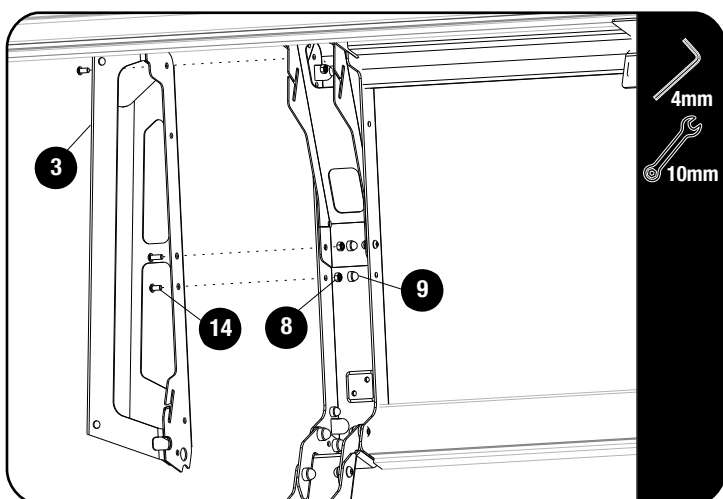
Place M6 Nut caps on the M6 Nyloc Nuts.



Tightening Torque:

M6 : 8-10Nm / 5.9 ft lb - 7.38 ft lb

2.12



Assemble the Rear Wing Brackets (Item 3) using the 3x M6x12 Button head screws and 3x M6 Nyloc Nuts (Item 14 & 8).

Place the 3x M6 Nut caps (Item 9) over the nyloc nuts.



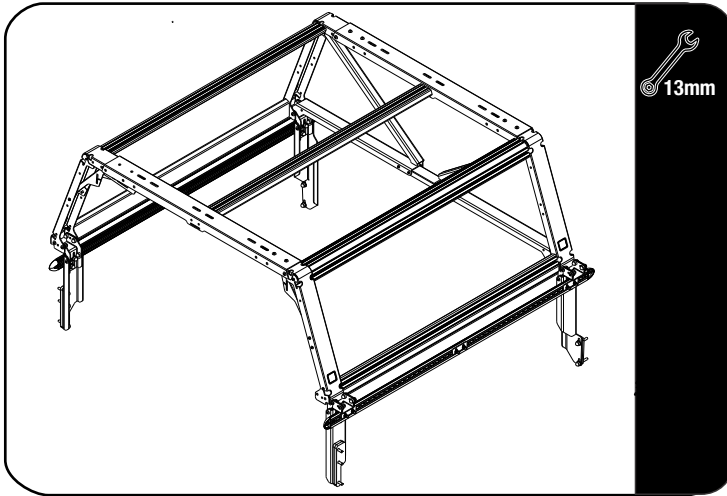
Tightening Torque:

M6 : 8-10Nm / 5.9 ft lb - 7.38 ft lb

2

FIT AND SECURE

2.13



Fully tighten all the bolts and nuts and place nut caps where needed.

13mm

3

COMPLETION

3.1

Congratulations! You did it. Take a step back and admire your work!



4

INSTALL OTHER VEHICLE AND RACK ACCESSORIES

Now's the time to visit your favorite Front Runner dealer in person or online.

IMPORTANT!

FRONT RUNNER RACK KITS OFTEN HAVE A HIGHER LOAD RATING THAN THE VEHICLES THEY ARE MOUNTED TO. PLEASE REFER TO YOUR SPECIFIC VEHICLE MANUFACTURER FOR A RECOMMENDED ROOF RATING. FRONT RUNNER CANNOT BE RESPONSIBLE FOR IMPROPER LOADING BEYOND THE VEHICLE MANUFACTURER'S STATED LOAD CAPACITY.

Be sure to tag us. We love to see our gear in action! #FrontRunnerOutfitters #BornToRoam

Share your adventures on: 